

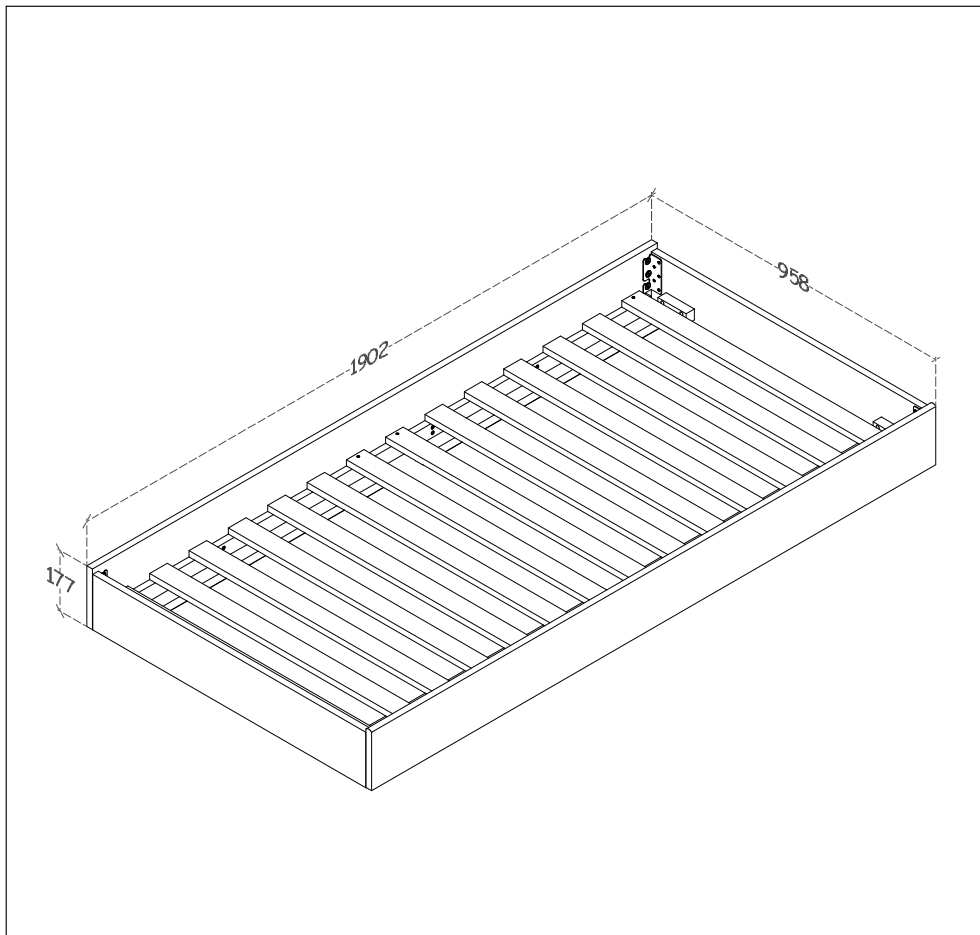


**ASSEMBLY INSTRUCTION**  
**JASON TRUNDLE**  
**ITEM CODE - 56286**

*Imported by Amart Furniture Pty, Ltd, Qld, Brisbane Australia.*

*For any assistance with assembly or for missing parts please phone*

*Amart Furniture, Customer Service Freecall 1800 351 084.*

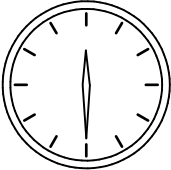
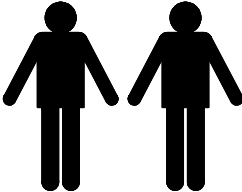



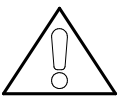
*Imported by Amart Furniture Pty Ltd, Qld, Brisbane Australia. For any assistance with assembly or for missing parts please phone Amart Furniture, Customer Service Freecall 1800 351 084.*

# PRE-ASSEMBLY PREPARATION

## BEFORE YOU START....

1. Choose a clean, level, spacious assembly area. Avoid hard surfaces that may damage the product.
2. Check and ensure that you have all required contents for complete assembly.
3. Always read the assembly instructions carefully before beginning assembly.
4. The packaging and contents can be a choking hazard, therefore keep out of reach of small children at all items.
5. Do not over tighten the bolts as this may damage the thread.

	
ALLOW 30 MINUTES	2 PEOPLE REQUIRED
	
ADDITIONAL TOOLS REQUIRED	



## WARNING

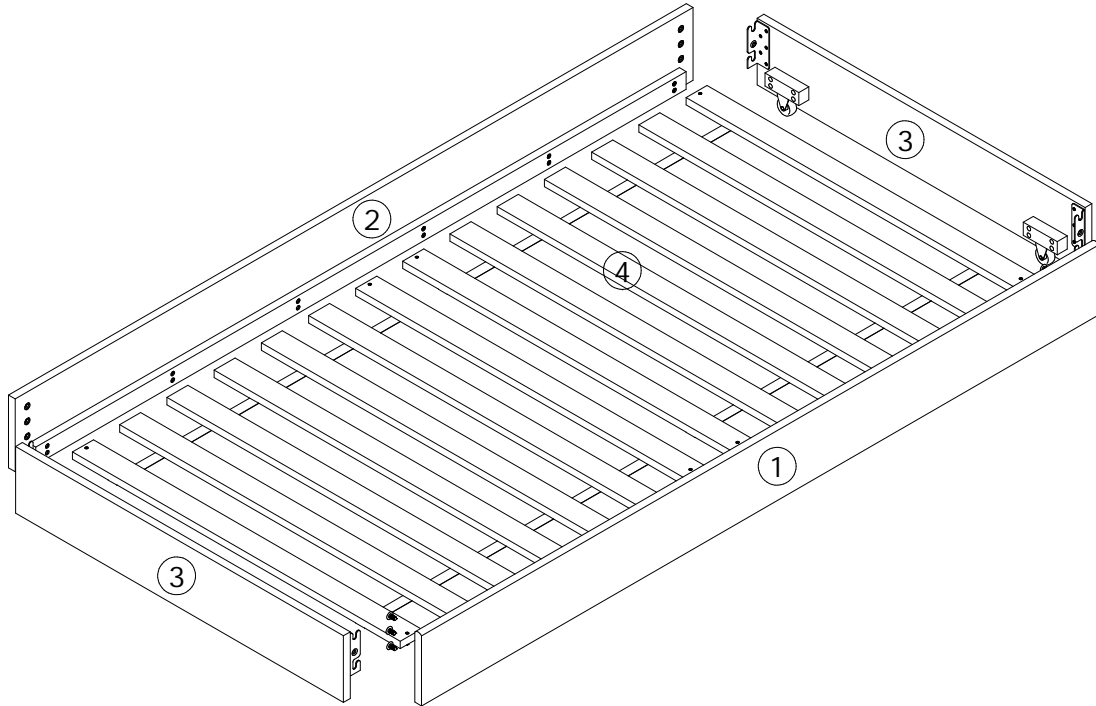
To help prevent serious or fatal injuries from entanglement or falls :


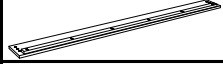
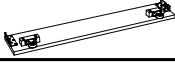
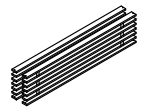
- Use the correct size mattress as specified
- Upper surface of mattress must be at least 160mm below upper edge of guard rails
- Follow all written instructions included with this bed
- Use guardrails on both sides of upper bunk
- Check the bunk bed periodically to ensure that the guardrails, access device and other components are maintained in the correct position and state of repair and that all connectors are tight with nothing protruding more than 8mm
- Ensure the upper bunk is more than 2m from any ceiling fan
- Prohibit horseplay on or under bed
- Prohibit more than one person on the upper bunk


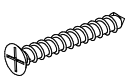

**TOP BUNK AND ELEVATED BEDS ARE DANGEROUS AND ARE NOT RECOMMENDED FOR CHILDREN UNDER THE AGE OF 9.**

**DO NOT REMOVE THIS LABEL**

# PARTS LIST

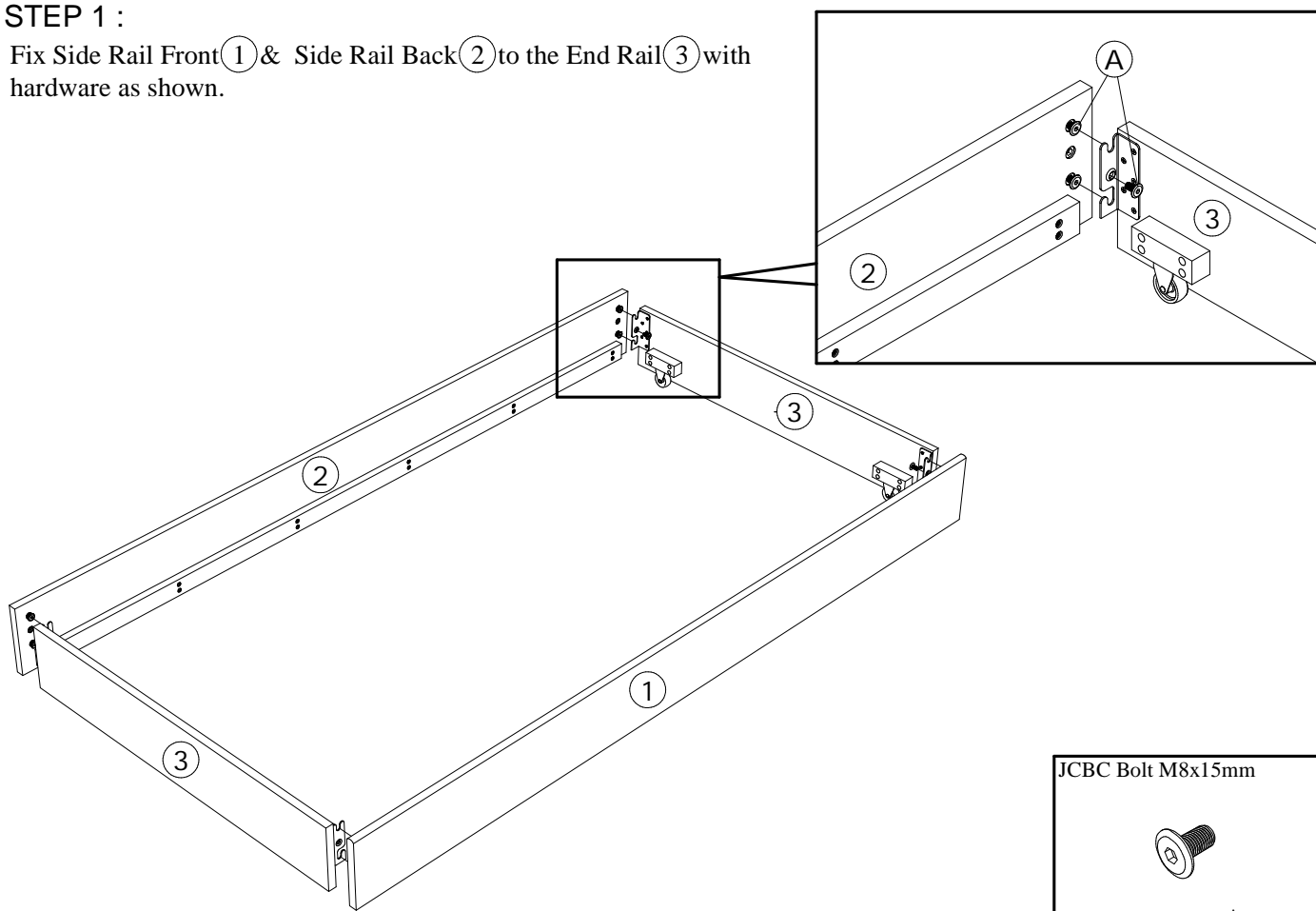


NO	PART	QTY.	PICTURE	PACKING CARTON
1	SIDE RAIL - FRONT	1 PC		1 / 1
2	SIDE RAIL - BACK	1 PC		1 / 1
3	END RAIL	2 PCS		1 / 1
4	WOOD SLAT (14pcs/set) - 18mm x 59mm x 920mm	1 SET		1 / 1

JCBC Bolt M8x15mm  <b>A x 12 pcs</b>	CSK Chipboard Screw #4 x 30mm  <b>B x 8 pcs</b>	Allen Key - M8  <b>C x 1 pc</b>
---	--	---

**STEP 1 :**

Fix Side Rail Front (1) & Side Rail Back (2) to the End Rail (3) with hardware as shown.



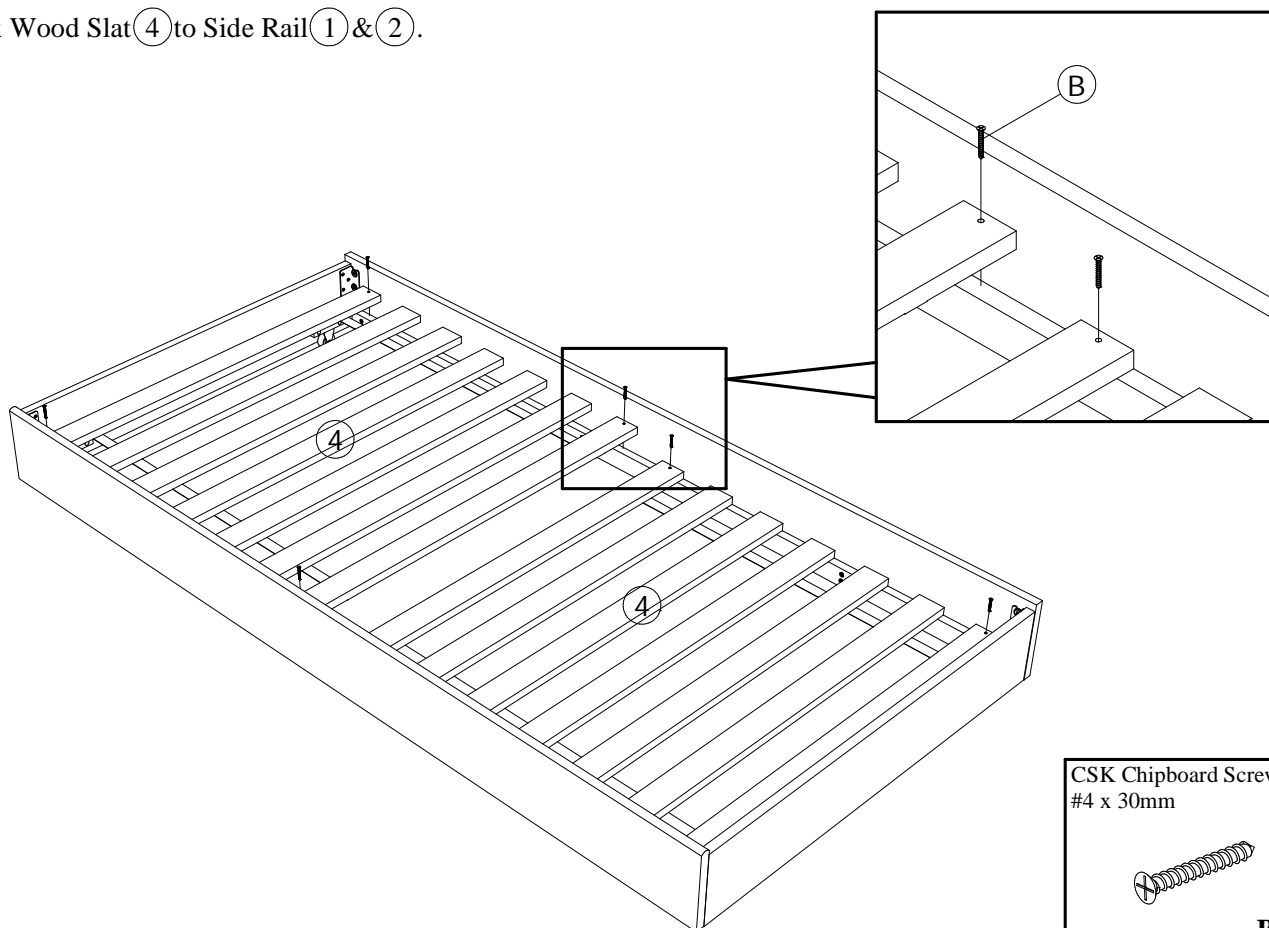
JCBC Bolt M8x15mm



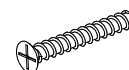
A x 12 pcs

**STEP 2 :**

Fix Wood Slat (4) to Side Rail (1) & (2).

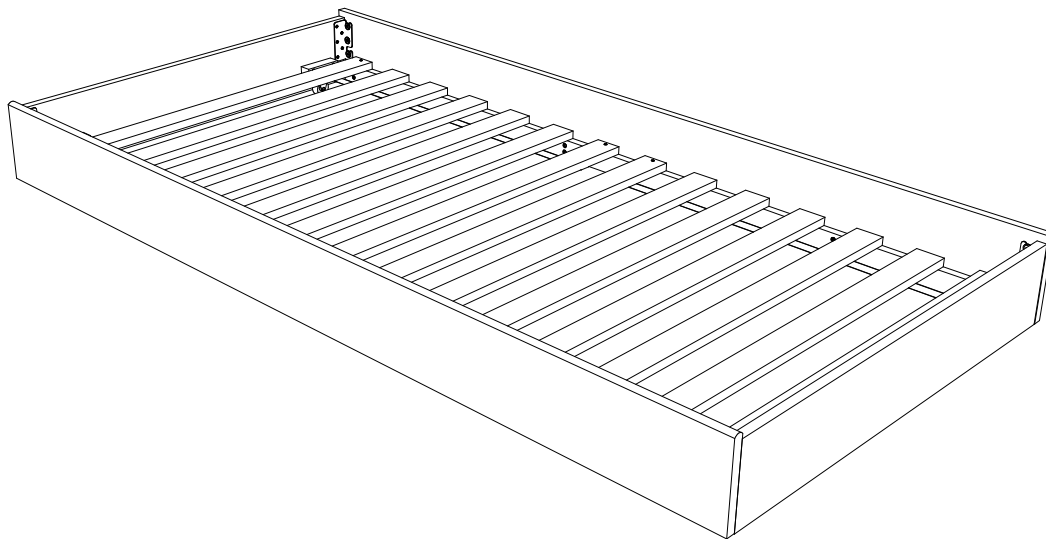


CSK Chipboard Screw  
#4 x 30mm



B x 8 pcs

**ASSEMBLY IS COMPLETE**



## **Product Care for Hi-Gloss Items**

Hi-gloss lacquered furniture is more sensitive to marks and scratching than some other furniture products. It is important to exercise caution and care to maximise the life and beauty of this product.

Following the below simple guidelines when using your hi-gloss product will protect your investment for years to come.

- Dust frequently with a clean damp lint-free cloth. This will help remove abrasive build up which can damage a finish over time.
- Do not place hot objects on any furniture surface. Always use a hot plate or placement. Laminate and lacquer finishes on table tops provide added scratch and heat resistance to our furniture, but they can still be damaged without proper care.
- Avoid exposing your furniture to strong sunlight, heat outlet, open windows or dampness. Prolonged exposure to direct sunlight can fade the finish of your furniture, while extreme temperature and humidity changes can cause cracking or splitting.
- Do not expose your furniture to any liquids. Never allow water to sit on your furniture. Alcohol, nail polish and perfume are also dangerous as they will dissolve the lacquer finish on contact and may require professional repairs.
- Do not allow plastic to come in direct contact with your furniture. Chemicals in the plastic of placements etc may soften and mark the finish if left in contact with the furniture for a period of time.
- Avoid placing sharp or rough objects on the surface of your furniture. These may scratch the surface of the product.
- When moving your furniture, do not drag it across the floor. This may damage the product. Instead use two (2) people to lift carefully from either end.